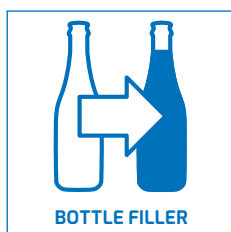
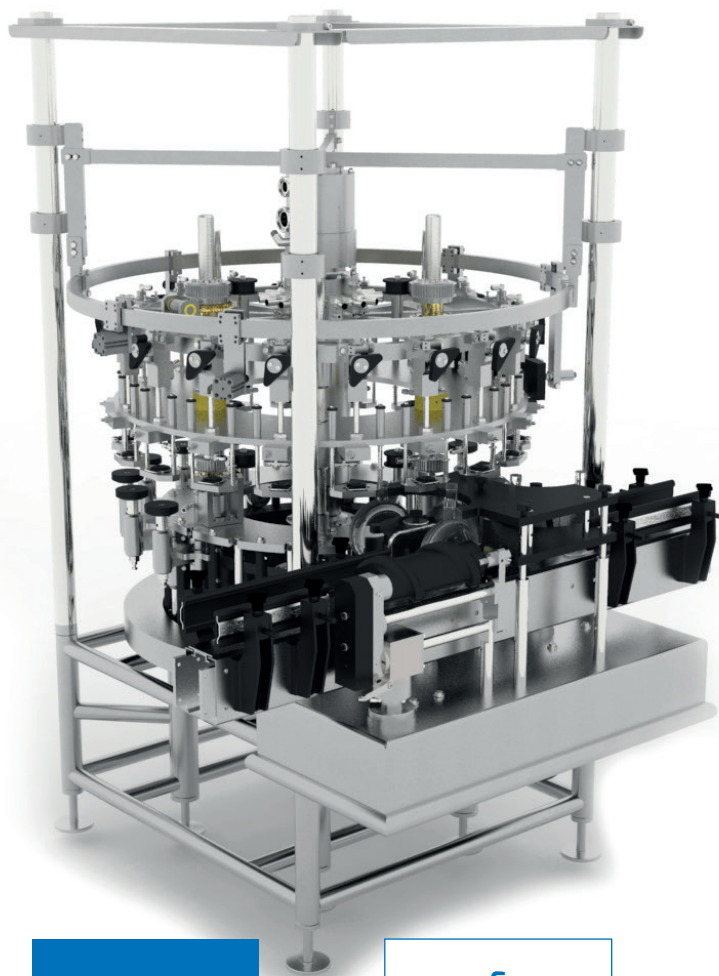


COMBISTAR BOTTLE FILLER



TYPE

Differential
pressure
Short tube

TECHNOLOGY

6
12
18
24
30

STATIONS

Non-carbonated
beverages

PRODUCTS

TECHNICAL DETAILS

Regulating range: 800 – max. 6,000* bph
(750 ml / 25.3 oz / e.g. wine)

Beverage pump type: Eccentric rotor pump,
stainless steel

PLC: Siemens S7

Supply data: 400 V / 50 Hz / 3 Ph **

Drive unit: 0.75 – 3 kW

*product specific ** country specific

OPTIONS

Bottle shower

Bottle stop (pneumatic)

HPI Heater (High Pressure Injection)

Flushing device

Additional Bottle set

Spare part package

Remote access

+ more options and individual features available

Gentle filling

Due to our advanced differential pressure technology, the beverage can be bottled with adjustable fall pressure and speed. In contrast to conventional fillers, gas release is impeded and direct contact between air and beverage is avoided. This not only reduces uncontrolled oxidation, but it also avoids the loss of specific flavors and effervescence. By adjusting the fall pressure, the filling speed can be regulated. This feature makes it possible, for example, to fill simple table wines faster. On the other hand, more sensitive or high value wines can be filled more slowly and gently.

Bottle and fill level adjustment

Our new filler design allows continuous central adjustment of the bottle and fill heights. Thereby all current bottle shapes can be filled without format change. Adjusting the COMBISTAR to different bottle shapes only requires movement of a few handles. This reduces the setup time to minutes.

Reliability

Components are predominantly mechanical, which provides easy maintenance and a long service life.

Saving labor cost

To reduce labor costs pre-installed programs are available for:

- **Automatic operation**
- **CIP cleaning**

Materials

Mainly used materials:

- **Stainless steel** (1.4571 or 1.4404)
- **Food safe plastics** (e.g. POM or PTFE)
- **Food safe elastomer** (e.g. EPDM)
- **Piping in stainless steel** (1.4404)

Safety housing

The doors consist of frameless safety glass (Makrolon). All machine areas are accessible through safety doors or removable covers.

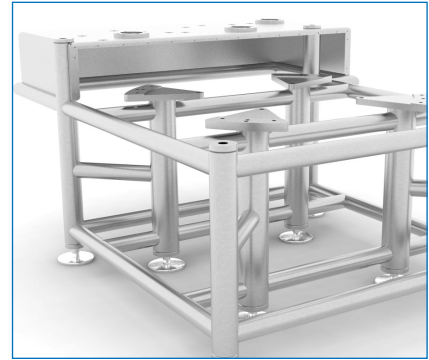
Further characteristics

- **All guiding stars secured by central friction clutch**
- **Mechanical lifting cylinders**
- **Integrated conveyor belt through the full course of the machine**
- **Designed for CIP cleaning**
- **Central lubrication system**
- **User friendly operating panel (HMI)**
- **Complies with all CE requirements at the date of shipment**



Hygienic Design

For further improvement of our Hygienic Design concept we use a round tube frame instead of conventional table plate.



Hygienic Design: round tube frame instead of conventional table plate

We are happy to provide you with further details and all the options for your individual specifications!

 +49 7641 46885-0

 info@leibinger.eu

 www.leibinger.eu