

# MULTIMA LC

CAN FILLER + SEAMER **ferrum** FC03



TYPE

**Counter pressure**  
**Long tube**

TECHNOLOGY

12  
18  
24  
30

STATIONS

**Carbonated & non-carbonated beverages**

PRODUCTS

## TECHNICAL DETAILS

Regulating range:	1.600 – max. 13.000* bph/cph (330 ml / 12 oz)
Conveyor belt height:	1.000 mm ± 50 mm
Beverage pump type:	Eccentric rotor pump, stainless steel
PLC:	Siemens S7
Supply data:	400 V / 50 Hz / 3 Ph **
Drive unit:	0.75 – 3 kW SEW
Capper/Seamer:	LEIBINGER / FERRUM
Container:	Cans

\*product specific \*\* country specific

## OPTIONS

- Can shower
- Can stop (pneumatic)
- HPI Heater (High Pressure Injection)
- Flushing device
- Additional can set (Standard / Sleek / Slim)
- Spare part package
- Remote access
- + more options and individual features available

**Wide range of uses**

The counterpressure technology of our MULTIMA product line makes it particularly suitable for filling carbonated products like beer, soft drinks, sparkling wine and mineral water. Using the integrated vacuum technology, filling with extremely low oxygen uptake is possible in bottles and cans.

**Container (Bottle / Can) and fill level adjustment**

Through exchange of:

- Filling tubes
- Container guiding parts
- Centering bells

**Reliability**

Components are predominantly mechanical, which provides easy maintenance and a long service life.

**Saving labor cost**

To reduce labor costs pre-installed programs are available for:

- Automatic operation
- CIP cleaning

**Materials**

Mainly used materials:

- **Stainless steel** (1.4571 or 1.4404)
- **Food safe plastics** (eg. POM or PTFE)
- **Food safe elastomer** (eg. EPDM)
- **Piping in stainless steel** (1.4404)

**Safety housing**

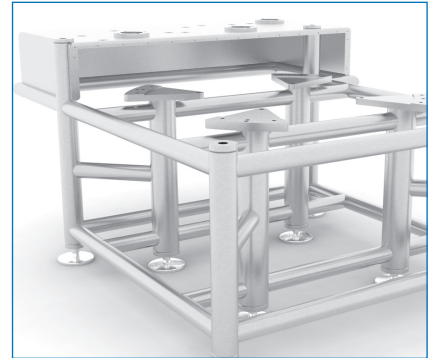
The doors consist of frameless safety glass (Makrolon). All machine areas are accessible through safety doors or removable covers.

**Further characteristics**

- All guiding stars secured by central friction clutch
- Mechanical lifting cylinders
- Integrated conveyor belt through the full course of the machine
- Designed for CIP cleaning
- Central lubrication system
- User friendly operating panel (HMI)
- Complies with all CE requirements at the date of shipment

**Hygienic Design**

For further improvement of our Hygienic Design concept we use a round tube frame instead of conventional table plate.



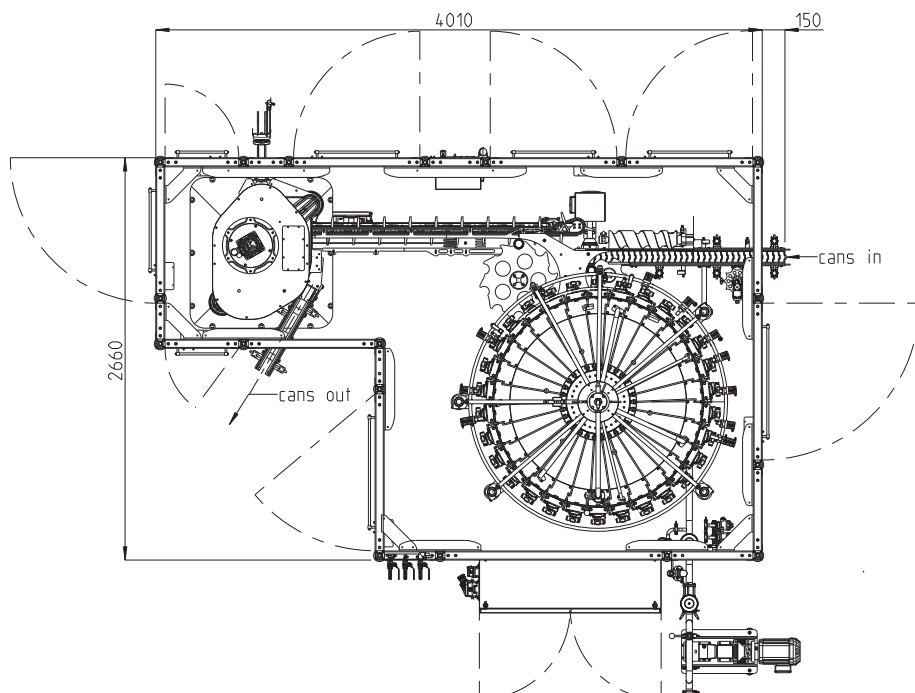
Hygienic Design: round tube frame instead of conventional table plate

We are happy to provide you with further details and all the options for your individual specifications!

+49 7641 46885-0

info@leibinger.eu

www.leibinger.eu



Multima LC30 + FC03



Scan me and bring the machine virtually in your production area